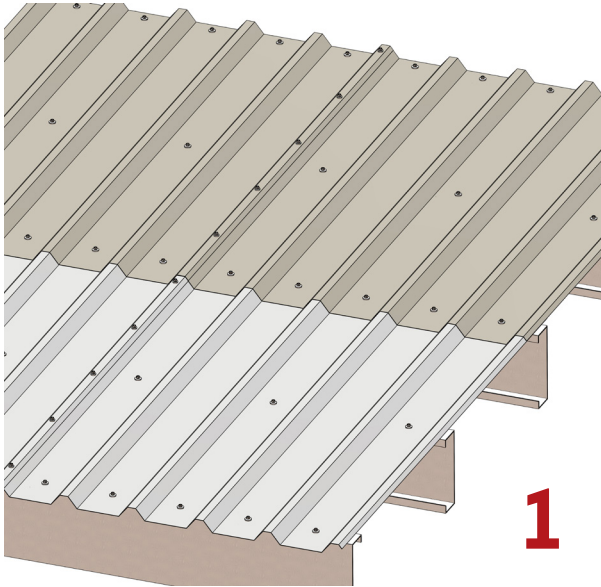
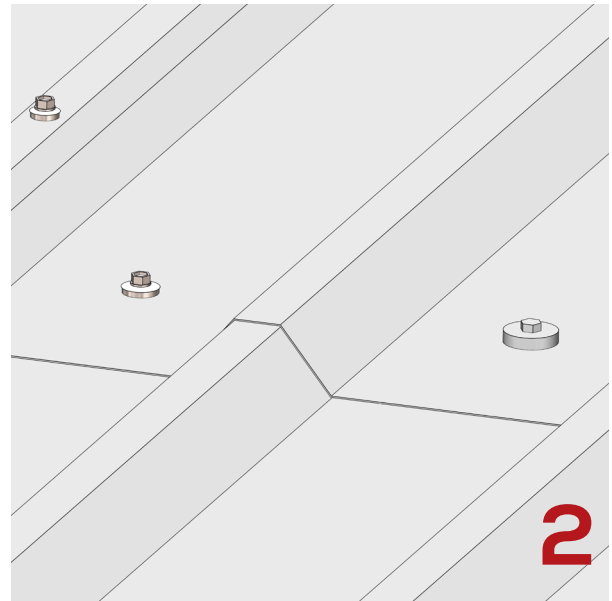


# Instructions

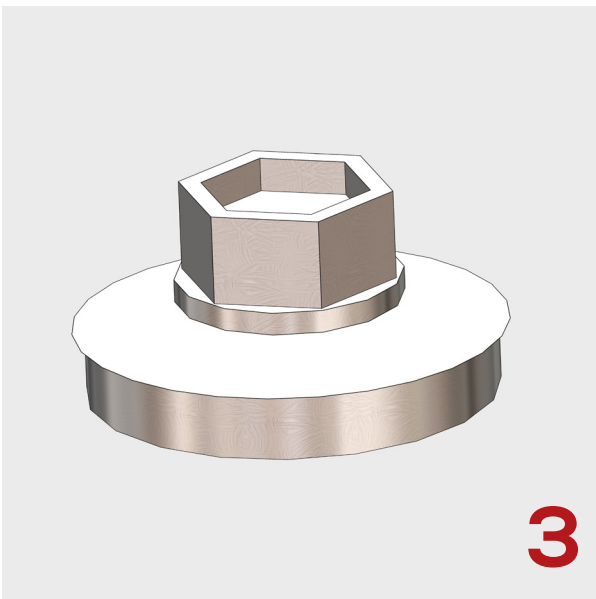
## Seamsil Fixing Sealant



Ensure the roof/area/fixings to be treated are clean and free from debris and dirt.  
(Removal may be carried out using a pressure washer fitted with a rotating spinning head capable of delivering a minimum of 3000 psi.)



Ensure all fixing caps have been removed and rust suitably prepared.



Tighten any fixings that are found to be loose.



Cut tube spigot and screw on nozzle  
(Do not overtighten.)

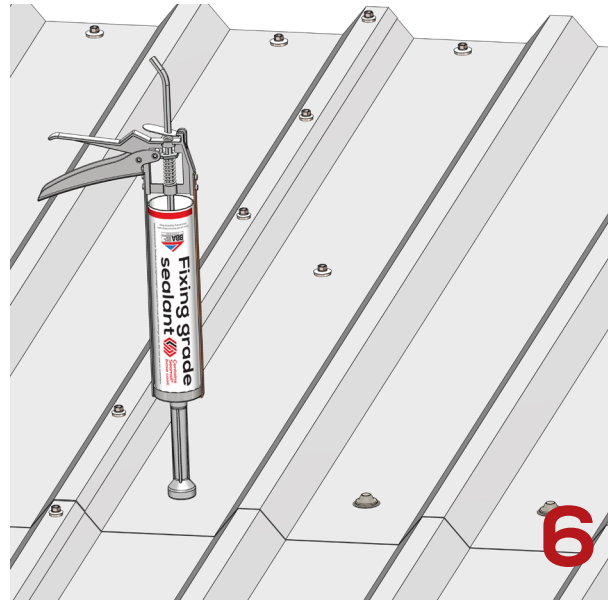


**sharmans**  
gutter & roof refurbishment systems



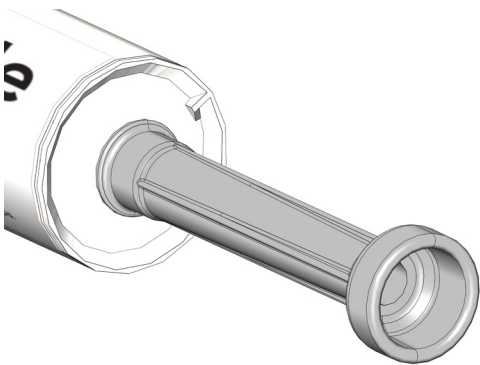
5

Prime nozzle with sealant.



6

Place nozzle over the fixing, ensuring it is flat and level. Squeeze the trigger ensuring that required amount of sealant dispenses to encapsulate the fixing.



7

Clean the nozzle after use.



8

Encapsulated fixing.